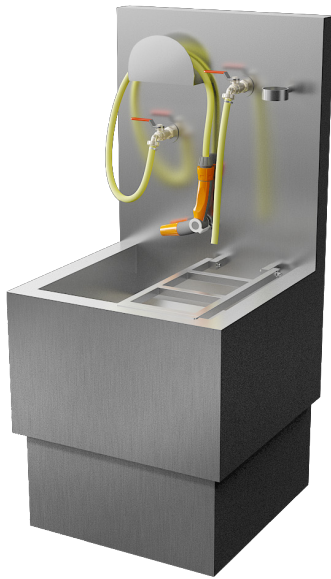


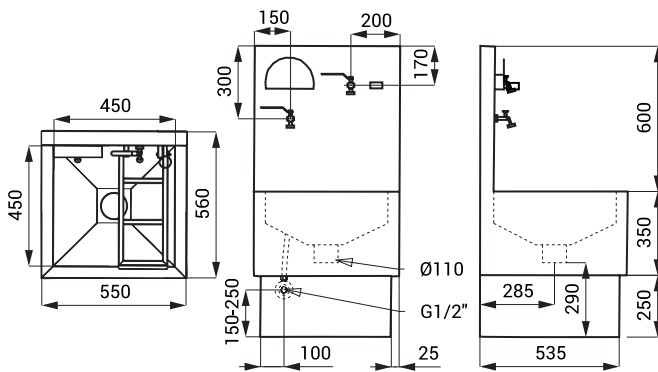
# Stainless Steel Sink for Emptying Portable Toilets SLVN 07



## Characteristics

- self-supported sink for emptying portable toilets
- hose for rinsing the waste-holding tank, filling tap for flush-water tank, hinged grid
- without siphon, waste outlet  $\varnothing$  110 mm
- floor standing, mounting to the wall
- material AISI - 304
- brushed finish

## Dimensions



## Technical Specification

Dimensions

560 x 550 x 1200 mm

## Supply Specification

**SLVN 07** - Supply No. **98070** stainless steel sink, hinged grid, hose for rinsing the waste-holding tank, filling tap for flush-water tank