

Piezo Toilet Flushing Unit SLW 04PA

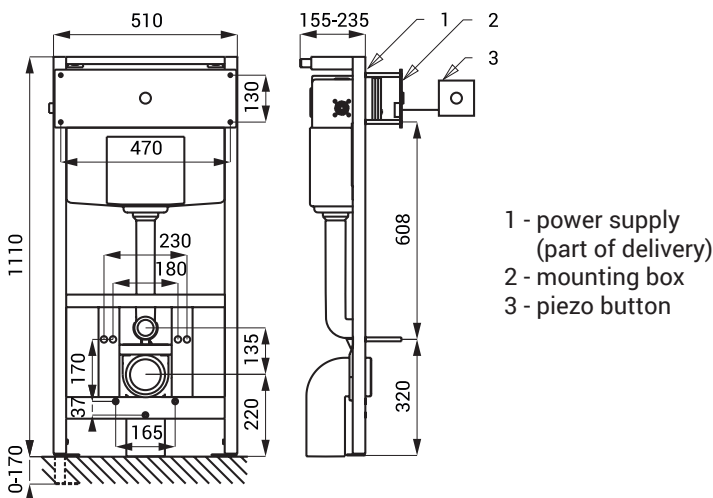


Characteristics



- remote flush for disabled and persons with limited mobility
- vandal-proof
- suitable for prison
- with second piezo button for remote flushing
- including the mounting frame SLR 21
- mounting frame with tank destined for plasterboard constructions
- five-point system for fixing of stainless steel toilets
- metal frame construction with surface finishing - blue powder coated
- mounting screws M10, waste pipe holder with connecting set Ø 50 mm and waste pipe holder with the elbow pipe Ø 110 mm
- special vandal-proof stainless steel cover, thickness 3 mm, safety screws
- water flows after soft push of the piezo button
- adjustable flushing time 0,5 - 15,5 s, standard 5 s
- automatic hygiene flush after each 8 use of toilet and after 24 hours non-use
- parameter adjustment using by the remote control SLD 04

Dimensions



Technical Specification

Stainless steel cover dimension	500 x 170 x 3 mm
Stainless steel cover dimension for remote flush	85 x 90 x 3 mm
Frame dimension	510 x 1120 - 1290 x 155 x 235 mm
Operating voltage	24 V DC
Power input	13 W
Recommended flow pressure	0,15 - 0,6 MPa
Water inlet	male thread G 1/2"
Water outlet	inlet fitting with a rubber sealing

Supply Specification

SLW 04PA - Supply No. 14046 stainless steel cover with piezo electronics, control mechanism with servomotor, torx screws (4 pcs.), mounting frame with tank SLR 21, stainlesssteel cover with piezo electronics of remote flushing, plastic mounting box, torx screws (2 pcs.), connecting cable (2500 mm), connectors

Recommended Accessories

SLZ 01Y - Supply No. 05012 power supply 24 V DC for operating of max. 2 pcs. of flushing units
SLZ 01Z - Supply No. 05011 power supply 24 V DC for operating of max. 4 pcs. of flushing units
SLZ 04Y - Supply No. 05042 power supply 24 V DC on DIN rail, for operating of max. 2 pcs. of flushing units
SLZ 04Z - Supply No. 05041 power supply 24 V DC on DIN rail, for operating of max. 4 pcs. of flushing units
SLZ 04X - Supply No. 10049 power supply 24 V DC on DIN rail, for operating of max. 7 pcs. of flushing units
SLD 04 - Supply No. 07040 remote control for an adjustment of parameters