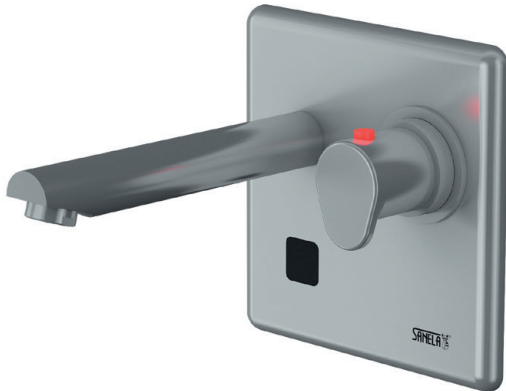


# Automatic Wall-mounted Thermostatic Taps SLU 04HT17, SLU 04HT25

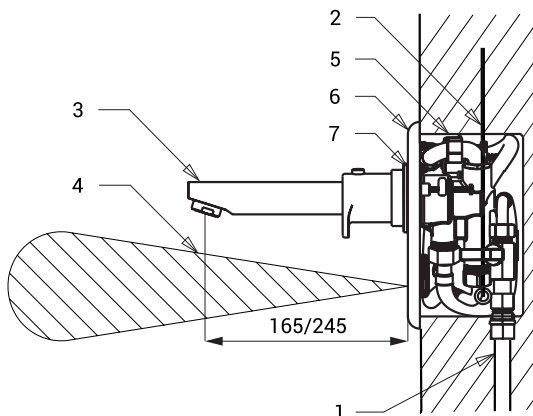


## Characteristics



- economical aerator, rate of flow 6 l/min
- hygienic flush
- suitable for medical facilities
- is destined for cold and hot water, temperature is regulated by thermostatic mixer
- safety fuse against scalding
- stop flowing of hot water till 1 s in case of cold water failure
- pressure of hot and cold water must be same
- water is flowing as long as hands are in the active range
- water stops flowing after removal of hands from the active range of sensor after adjustable time delay (can be set in range 0,25 – 7,75 s)
- function of automatic water stop after 5 minut of continuous flow
- monitoring of battery capacity (for models with index B)
- START/STOP program
- parameter adjustment using by the remote control SLD 03
- water flow can be regulated by ball valve

## Installation Drawing



- 1 - water supply
- 2 - feed cable from the power supply (SLU 04HT17, SLU 04HT25)
- 3 - spout
- 4 - active range
- 5 - mounting box
- 6 - stainless steel cover with electronics
- 7 - thermostat

## Technical Specification

<b>Stainless steel cover dimension</b>	170 x 170 x 10 mm
<b>Stainless steel mounting box dimension</b>	155 x 155 x 82 mm
<b>Length of the spout</b>	
▪ SLU 04HT17	170 mm
▪ SLU 04HT25	250 mm
<b>Operating voltage</b>	
▪ SLU 04HT17, SLU 04HT25	24 V DC
▪ SLU 04HT17B, SLU 04HT25B	6 V
<b>Power input</b>	
▪ operating by 24 V DC	7 W
▪ operating by 6 V	3 W
<b>Battery life</b>	
▪ 4 pcs. AA alkaline batteries AA, 1,5 V, 2700 mAh	approx. 2 years (100 uses per day)
<b>Active range</b>	
▪ standard	0,27 - 0,35 m
▪ START/STOP program	0,05 - 0,15 m
<b>Recommended flow pressure</b>	0,1 - 0,6 MPa
<b>Rate of flow</b>	6 l/min. (inf. data)
<b>Water inlet</b>	male thread G 3/4"

## Supply Specification

- SLU 04HT17 - Supply No. 43046
  - SLU 04HT17B - Supply No. 65043
  - SLU 04HT25 - Supply No. 43047
  - SLU 04HT25B - Supply No. 65044
- spout, stainless steel cover with electronics, stainless steel mounting box with thermostat, solenoid valve, ball valve and screw coupling, 4 pcs. AA alkaline batteries 1,5 V, 2700 mAh (for models with index B)

## Recommended Accessories

SLZ 01Y	- Supply No. 05012	power supply 24 V DC for operating of max. 5 pcs. of washbasin taps
SLZ 01Z	- Supply No. 05011	power supply 24 V DC for operating of max. 9 pcs. of washbasin taps
SLZ 04Y	- Supply No. 05042	power supply 24 V DC for DIN rail, for operating of max. 5 pcs. of washbasin taps
SLZ 04Z	- Supply No. 05041	power supply 24 V DC for DIN rail, for operating of max. 9 pcs. of washbasin taps
SLZ 04X	- Supply No. 10049	power supply 24 V DC for DIN rail, for operating of max. 15 pcs. of washbasin taps
SLD 03	- Supply No. 07030	remote control for an adjustment of parameters
SLA 36	- Supply No. 06360	set of 4 pcs. alkaline batteries AA, 1,5 V, 2700 mAh (for models with index B)
SLA 55A	- Supply No. 06550	economical aerator 3,8 l/min
SLA 55B	- Supply No. 06551	economical aerator 1,9 l/min
SLA 64	- Supply No. 06640	thermostatic valve nut spanner