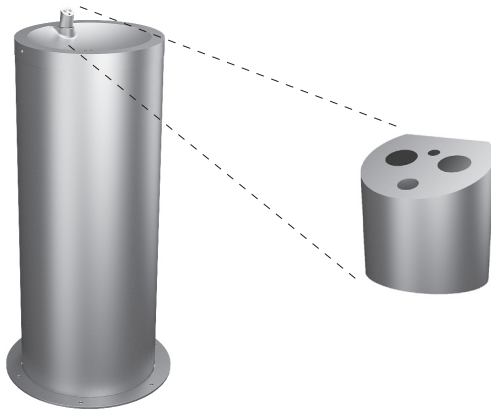


# Stainless Steel Automatic Drinking Fountain SLUN 23E

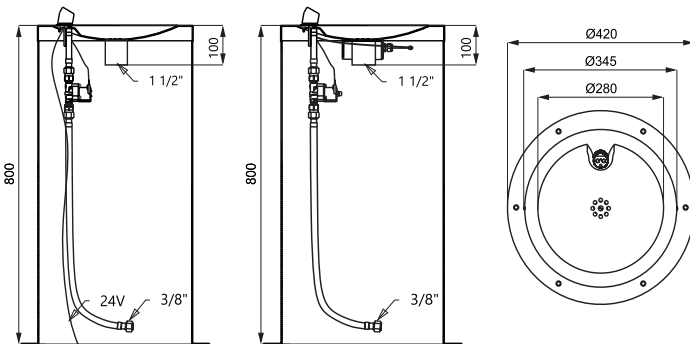


SLUN 23E, SLUN 23EB

## Characteristics

- **hygienic flush**
- stainless steel floor standing drinking fountain with automatic infra-red drinking spout
- mounting to the floor
- system reacts to the user's face in front of the sensor
- water stops after user leaving the active range of the sensor
- function of automatic water stop after 5 minutes of continuous flow
- monitoring of battery capacity (for models with index B)
- START/STOP program
- parameter adjustment using by the remote control SLD 03
- water flow regulation on drinking spout
- filled with expanded polyurethane (to avoid dents and typical metal noise)
- material AISI - 304
- inner bowl high polished finish, apron brushed finish

## Dimensions



SLUN 23E

SLUN 23EB

## Technical Specification

### Operating voltage

- SLUN 23E 24 V DC
- SLUN 23EB 6 V

### Power input

- operating by 24 V DC 7 W
- operating by 6 V 3 W

### Battery life

- 4 pcs. AA alkaline batteries approx. 2 years (100 uses per day)
- AA, 1,5 V, 2700 mAh 0,23 - 0,31 m

### Active range

- Recommended flow pressure 0,1 - 0,6 MPa

### Rate of flow

- Rate of flow 1,4 l/min. (inf. data)

### Water inlet

- Water inlet male thread G 1/2"

## Supply Specification

- SLUN 23E - Supply No. 93231 stainless steel drinking fountain, drinking spout with electronics, electromagnetic valve (1 pc.), angle valve with filter and check valve (1 pc.), connecting hoses, siphon, 4 pcs. AA alkaline batteries 1,5 V, 2700 mAh (SLUN 23EB)
- SLUN 23EB - Supply No. 93232

## Recommended Accessories

- SLZ 01Y - Supply No. 05012 power supply 24 V DC for operating of max. 5 pcs. of spouts
- SLZ 01Z - Supply No. 05011 power supply 24 V DC for operating of max. 9 pcs. of spouts
- SLZ 04Y - Supply No. 05042 power supply 24 V DC for DIN rail, for operating of max. 5 pcs. of spouts
- SLZ 04Z - Supply No. 05041 power supply 24 V DC for DIN rail, for operating of max. 9 pcs. of spouts
- SLZ 04X - Supply No. 10049 power supply 24 V DC for DIN rail, for operating of max. 15 pcs. of spouts
- SLD 03 - Supply No. 07030 remote control for an adjustment of parameters
- SLA 36 - Supply No. 06360 set of 4 pcs. alkaline batteries AA, 1,5 V, 2700 mAh (for models with index B)