

Vandal-proof Combination Unit SLWN 38P



SLWN 38P

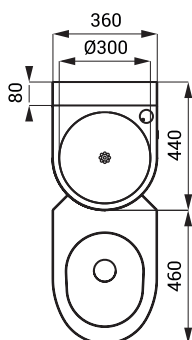
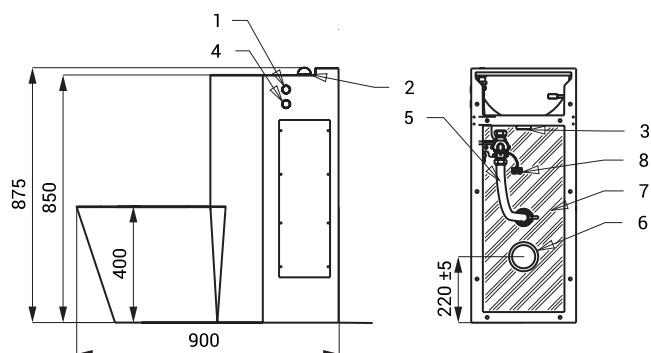
Characteristics



- **vandal-proof**
- **suitable for prison**
- floor standing piezo combination with toilet, washbasin and washbasin spout
- piezo button for washbasin spout
- piezo button for toilet flushing
- filled with expanded polyurethane (to avoid dents and typical metal noise)
- rear assembling through the service hatch
- water flows (or flushing the toilet) after soft push of the piezo button
- water stops flowing after adjustable flowing time (by washbasin can be set in 2 - 62 s, standard 10 s and by toilet can be set in 0,5 - 15,5 s, standard 8 s)
- water could be stopped by follow-up soft push of piezo button
- automatic hygiene flush after each eight flush or 24 hours non using of toilet
- parameters adjustment by remote control SLD 04
- material stainless steel AISI 304 (1.4301)
- brushed finish

Dimensions

SLWN 38P CELL



- 1 - piezo button for washbasin spout
- 2 - washbasin spout - female thread G 1/2"
- 3 - waste outlet pipe from the washbasin - male thread G 6/4"
- 4 - piezo button for toilet flushing
- 5 - toilet flushing valve - male thread G 3/4"
- 6 - waste outlet connection from toilet (Ø 101,6 mm)
- 7 - filled with expanded polyurethane
- 8 - power supply 24 V DC

Technical Specification

Dimensions	875 x 900 x 360 mm
Weight	24 kg
Operating voltage	24 V DC
Power input	14 W
Recommended flow pressure	0,15 - 0,6 MPa
Rate of flow	70 l/min. by the pressure 0,15 MPa (inf. data)
Water inlet	
▪ WC	Ø min. 32 mm (PN 16) male thread G 3/4"
▪ washbasin	female thread G 1/2"

Supply Specification

SLWN 38P - Supply No. 94383 stainless steel combination unit with toilet and washbasin, piezo electronics (2 pcs.), washbasin spout, mounting set

Recommended Accessories

SLZ 01Y	- Supply No. 05012	power supply 24 V DC for max. 2 pcs. of combination units
SLZ 01Z	- Supply No. 05011	power supply 24 V DC for max. 4 pcs. of combination units
SLZ 04Y	- Supply No. 05042	power supply 24 V DC on DIN rail, for max. 2 pcs. of combination units
SLZ 04Z	- Supply No. 05041	power supply 24 V DC on DIN rail, for max. 4 pcs. of combination units
SLZ 04X	- Supply No. 10049	power supply 24 V DC on DIN rail, for max. 7 pcs. of combination units
SLD 04	- Supply No. 07040	remote control for an adjustment of parameters